

承 认 书

SPECIFICATION FOR APPROVAL

客 户 土耳其 ST
 CUSTOMER _____

品 名 Telephone Wired Jack
 STYLE _____

型号规格 623k-4C-65mm+ "O" Terminal

DESCRIPTION _____

日 期 December 9, 2016
 D A T E _____

客户 CUSTOMER

品质管理部 QUALITY DEPT	业务管理部 BUSINESS DEPT	确 认 APPROVED BY

科达佳 KEDAJA

品保部 QUALITY DEPT	技术部 TECHNICAL DEPT	批 准 APPROVL



樂清市科達佳電訊線纜有限公司

[Http://www.kedaja.com](http://www.kedaja.com) E-mail: info@kedaja.com

地址: 中国浙江省乐清市宁康西路 311 号 TEL: 0577-62515009

ADD: NO.311 NINGKANG WEST ROAD , YUEQING CITY , ZHEJIANG , CHINA

樂清市科達佳電訊線纜有限公司

YUEQING CITY KEDAJA TELECOMMUNICATION CABLE CO., LTD

樣品確認回簽單

SAMPLE AFFIRM IDIOGRAPH LIST

客戶名稱 CUSTOMER	土耳其 ST	客戶代號 CUSTOMER CODE	
客戶索樣日期 CUSTOMER DEMAND DATE		科達佳送樣日期 KEDAJA SAMPLE SENT DATE	
客戶料號 CUSTOMER(P/N)			
科達佳型號 KEDAJA MODEL	623K-4C-65mm+"O" Terminal		
確認內容 AFFIRM CONTENT			
規格型號 DESCRIPTION	<input type="checkbox"/> 不合格 NONCONFORMITY	<input type="checkbox"/> 合格 CONFORMITY	
顏色 COLOR	<input type="checkbox"/> 不合格 NONCONFORMITY	<input type="checkbox"/> 合格 CONFORMITY	
配件 PARTS	<input type="checkbox"/> 不合格 NONCONFORMITY	<input type="checkbox"/> 合格 CONFORMITY	
各部分尺寸 APIECE PARE MEASURE	<input type="checkbox"/> 不合格 NONCONFORMITY	<input type="checkbox"/> 合格 CONFORMITY	
是否重新送樣 YES/NO	<input type="checkbox"/> 否 NO	<input type="checkbox"/> 是 YES	
客戶回簽欄 CUSTMER	回簽人簽名: UNDERWRITER:	回簽日期: UNDERWRIRE DATE:	
備註 REMARK	Conformity with ROHS directives. CONDUCTOR: 1061 26# COLOR: Zhi Ji a White		

附：請貴司各部門對樣品確認後將務必此單填寫完整回傳我司技術部存檔，便於查找和後續生產。謝謝合作！

Remarks: Please be sure to fill in the form and fax us to save and produce later after sample approved. TKS!

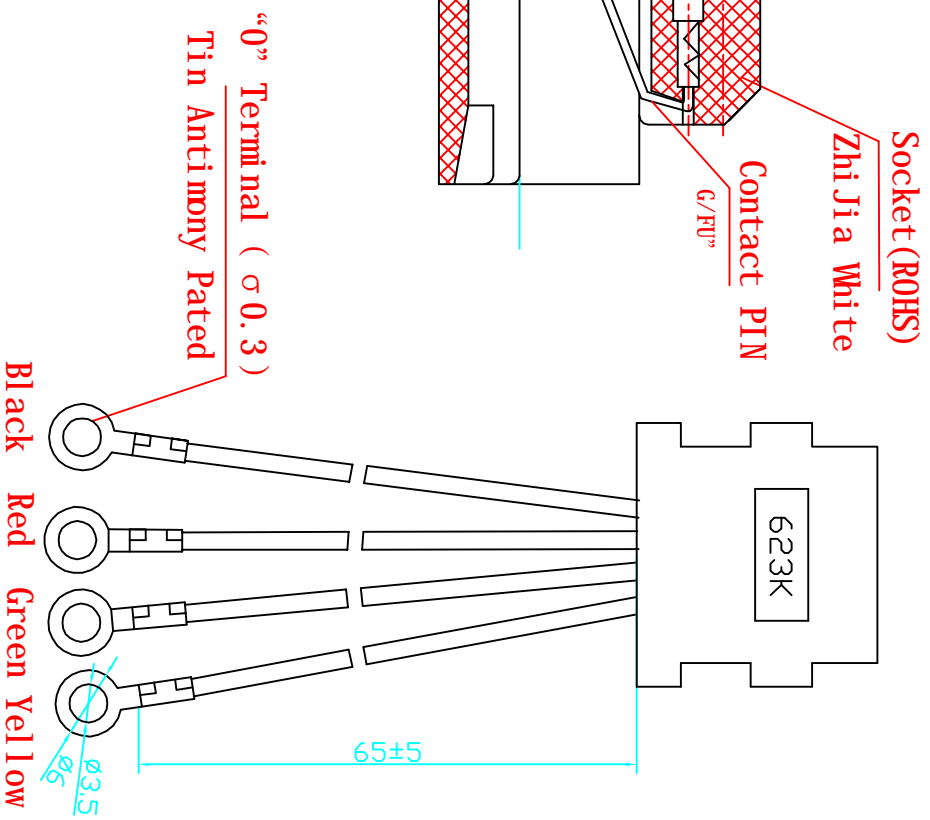
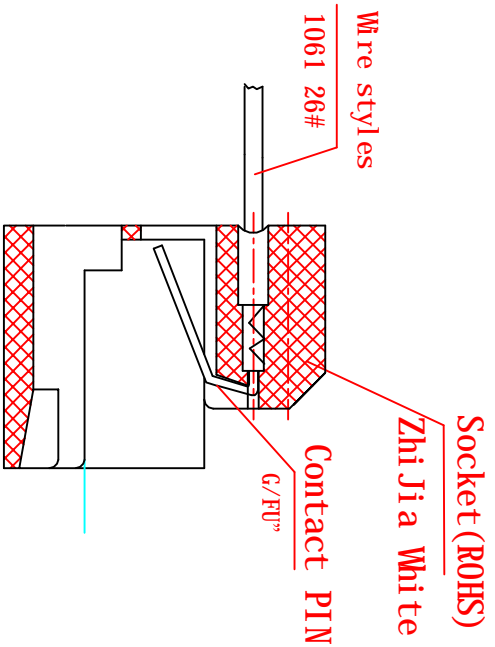
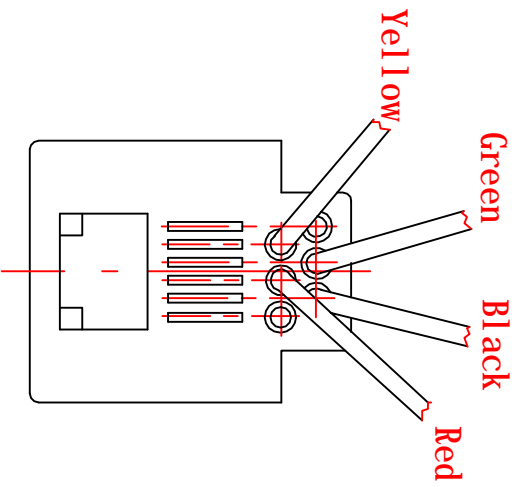
編制：
WEAVE: 2016-12-9

審核：
AUDIT:

地址：浙江省樂清市甯康西路 311 號 Tel: +0086-577-62512090 Fax: 62517299
ADD: NO.311 NINGKANG WEST ROAD ,YUEQING CITY ,ZHEJIANG PROVINCE ,CHINA

Technical Parameter

Description	Telephone Wired Jack	Type	623K-4C-65mm+"O"Terminal
Electrical Characteristic			
1	Insulation Resistance	$> 1000M \Omega$	
2	Withstand Voltage	AC1000V 50 HZ 1Min	
3	Contact Resistance	$\leq 0.03 \Omega$	
Mechanical Characteristic			
1	Retention Strength	Minimum 18N between plug and cable	
2	Mechanical life	600times under normal using life	
3	Insert strength	$\leq 9.8N$	
Material			
1	Housing	ABS	
2	Connect wire of jack	UL 1061 26AWG (Black、Red 、Green、 Yellow)	
3	Gold plating pin	$\phi 0.45mm$ alloy of phosphor and copper gold plating after nicked plating	
4	Gold-plating	G/F U"	
Other			
1	Core insert color	ZhiJia White	
2	Wire length (mm)	65 ± 5	
3	Parts	1-623K Jack / 4-"O" Terminal	
Note: Performance standard: GB10753-89			
Made by (date):		Collated by (date):	Audited by (date):



Technical Requirement

1. Performance standard: GB10753-89
2. Insulation resistance : $\geq 1000M\Omega$
3. Withstand voltage: AC1000V 50HZ 1Min
4. Contact resistance: $\leq 0.03\Omega$
5. Mechanical life :
6. Product Conformity with ROHS directives

CUSTOMER 土耳其ST

623K-4C-65mm- "0"Terminal

MARK NO	FILE CHANGED	SIGN	DATE						
DRAWN	吴明	STANDARD							
CORRECTED		APPROVED							
CHECKED									
TECHNICS		DATE	16-12-9						
				DRAWING MARK		UNITS		SCALE	
				S A A		mm		1:1	
				TOTAL PAGES					

OLD DRAWING NO
 BOTTOM DRAWING NO
 SIGN
 DATE