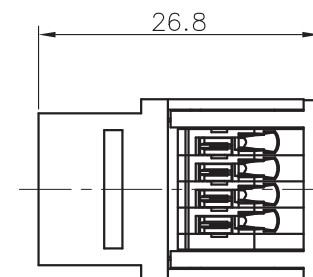
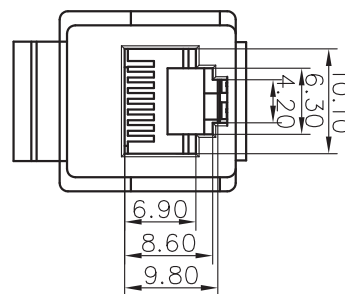
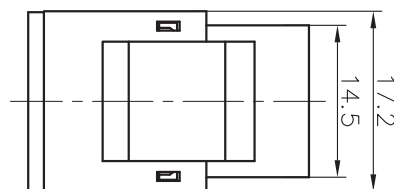
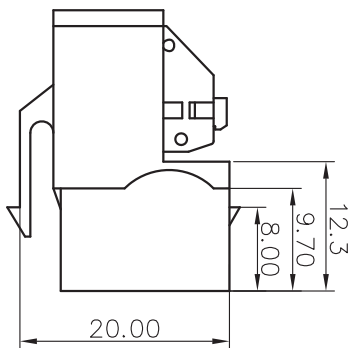


CAT3 UTP Terminal Block Keystone Jack

P/N: SM-2095T4C3

Keystone Jack

CAT3 UTP Terminal Block Keystone Jack



CAT3 UTP Terminal Block Keystone Jack

P/N: SM-2095T4C3

Keystone Jack

CAT3 UTP Terminal Block Keystone Jack



Main physical data sheet:

Color: WHITE

Pin:30-50"U"nickel plating inner side,surface golden plating

Moisture: more than 750 times mating cycles

MAIN Electric Parameter:

INSULATION RESISTANCE : >500M ohms

CONTACT RESISTANCE: <20m ohms

DIELECTRIC STRENGTH : DC1000V(AC700V)No punctured and overflash phenomenon within one minute

Return loss : 16 MHz , > 15 dB

Insertion loss : 16 MHz , <14.4 dB

Next loss : 16 MHz , > 19.4 dB

Attenuation: 100MHz , < 555ns

TIA/EIA : CAT 3