

AÇIKEL ELEKTRONİK MAMULLERİ İTHALAT

PAZARLAMA VE TIC.LTD.STİ.

DEMEX

APPROVE SHEET

Customer:

Kind: Ac Fan

Size: 120*120*38mm Voltage:AC220V

Model: G12038HA2BL

SPECIFICATION

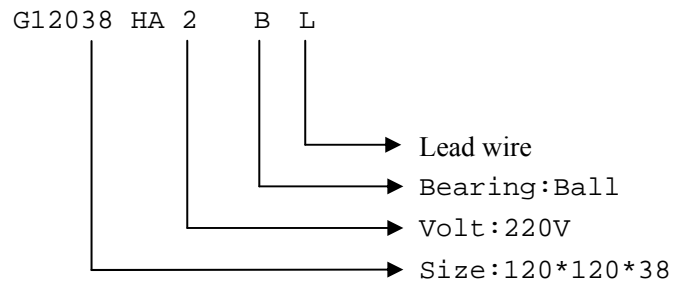
1. MECHANICAL	
1.1. EXTERNAL DIMENSION	REFER TO DRAWING 120*120*38
1.2. WEIGHT	480G
1.3. PACKAGING/ CUBITFEET	40pcs/Carton
1.4. BEARING	BALL BEARING
2. Electrical properties (IN FRE AIR AT RATED VOLTAGE)	
2.1. RETED VOLTAGE	220V/50Hz
2.2. RATED CURRENT	0.17±8%A
2.3. RATED POWER	24±8%W
3. EFFICIENCY	
3.1 RATED SPEED	2500±5%R/min
3.2 AIR FLOW	90 CFM
4. CHARACTERISTIC	
4.1 OPERATENG VOLTAGE RANGE	200-240VAC
4.2 STARTING VOLTAGE	187VAC
4.3 LOCKED CURRENT	0.19A
4.4 OPERATING TEMPERATURE	-20°C~+70°C/80%RH
4.5 STORAGE TEMPERATURE	-20°C~+90°C/80%RH
4.6 ENVIRONMENT HUMIDITY	10% (RH) 45°C FOR 24hrs&98%(RH)45°C FOR 24hrs
4.7 TEMPERATURE RISE IN NORMAL OPERATION	51.2°C
4.8 INSULATION RESISTANCE	MORE THAN 100MΩ AT 500VDC BETWEEN HOUSING AND BOTH LEAD WIRES
4.9 DIELECTRIC STRENGTH	5mA AND 2500VAC FOR 60 SECONDS BETWEEN HOUSING AND BOTH LEAD WIRE

4.10. LIFE EXPECTANCE	CONTINUOUS OPERATION FOR ABOUT 60000 HOURS AT RATED VOLTAGE AND NORMAL TEMPERATURE & HUMIDITY		
4.11. TEMPERATURE EXPECTANCE LIFE	SLEEVE BEARING	BALL BEARING	AMBIENT TEMP
	30000hrs	60000hrs	25°C
	20000hrs	40000hrs	40°C
	15000hrs	25000hrs	55°C
	10000hrs	20000hrs	70°C
4.12. THNSIBLE STRENGTH OF LEAD WIRE	NOT BROKEN AT 1Kg FOR 15sec PER PIECE		
4.13. SOUND LEVEL	49dBA		
<p>SOUND LEVEL TEST DESCRIPTION</p> <p>NOT BROKEN AT 1Kg FOR 15sec PER PIECE</p> <p>AT RATED VOLTAGE NOISE LAB TO TEST, PROOF ROOM BACKGROUND NOISE: 17.0 dBA MAXIMUM</p>			
4.14. CHARACTERISTIC DEFINITION			
4.14.1.			
RATED CURRENT RATED SPEED AND RATED INPUT POWER SHALL REACH BOTTOM LINE OF SPEC AFTER 5 MINUTES CONTINUOUS ROTATION AT RATED VOLTAGE AND REACH STANDARD SPEC AFTER 10 MINUTES CONTINUOUS ROTATION AT RATED VOLTAGE			
4.14.2. START VOLTAGE IS THE TEST VOLTAGE THAT ENABLE TO START THE FAX BY SUDDENT POWER ON			

5. MATERIAL

TIEM	MAJOR COMPONENTS	MATERIAL & GRADE	REMARK
5.1	FAN HOUSING	Aluminiferous	
5.2	FAN BLADE	PP	7 blades
5.3	STATOR	STAINLESS STEEL	
5.4	BEARING	Ball Bearing	
5.5	SILICON STELL STRIP	50WW800	
5.6	ENAMELED COPPER	QZY	
5.7	LEAD WIRES	16/0.15	
5.8	CAPACITOR	N/A	

6. ORDERING INFORMATION



7. INSPECTION PROCEDURES BELOW ARE EXTREMELY FOLLOWED

7.1

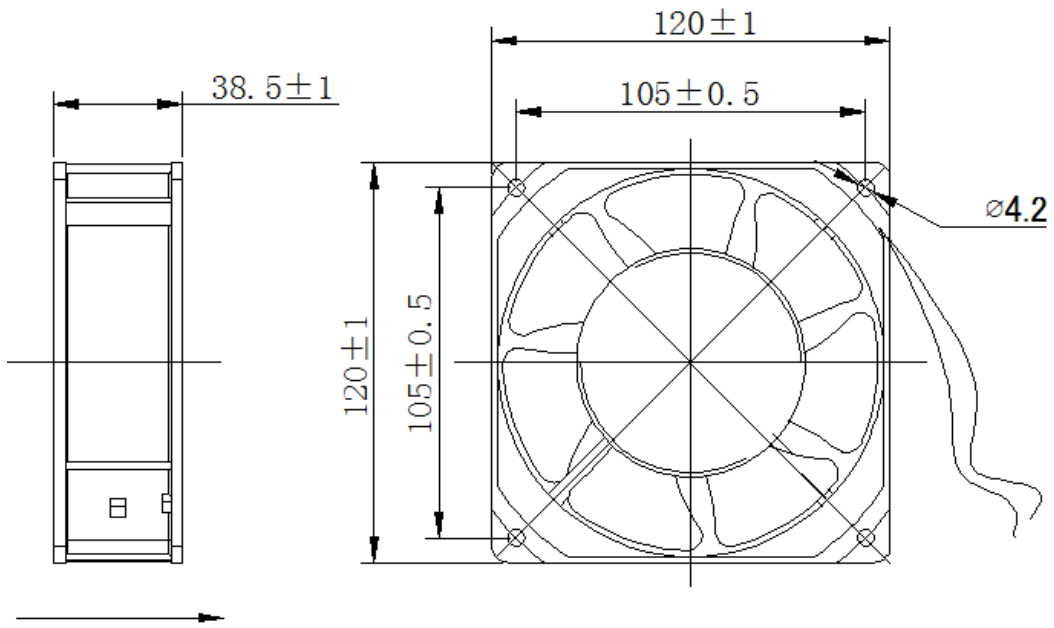
100% ELECTRIC, ROTATING DEAD BLADE FASTEN AND PRIMARY NOISE TEST ON

7.2

100% TEST: 1.06 AGAIN PRESSURE 4 HOUR GO TEST

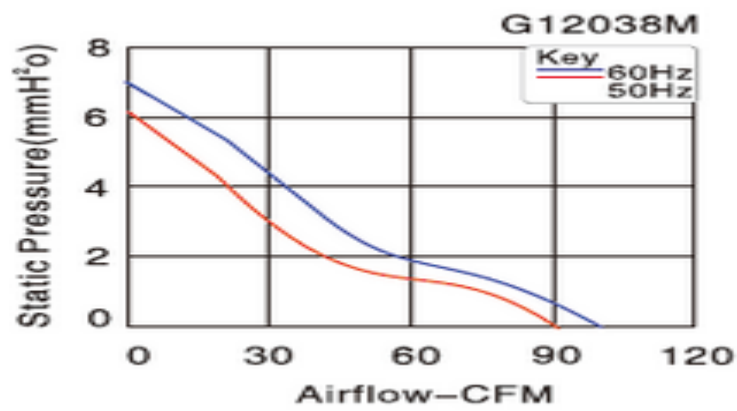
8.Drawing

8.1



Unit: mm

8.2:PQ



8.3:Label

