



Shenzhen Ying Tian Mechatronics Equipment Co., Ltd

深圳市应天机电设备有限公司

Product Specification

产品规格书

Model: YTA12038LBT2

Check 审核	Confirm 确认	Formulate 制定
张志友	向开红	王之森

客户 Client		
Check 确认	Confirm 确认	Check 审核

2020年8月9日

**Factory Address: Sha si Industrial Park, ShaJing Town, BaoAn District,
ShenZhen City, GuangDong Province, China.**

工厂地址: 广东深圳宝安沙井沙四高新科技园 C 栋

Tel: +086-755-27299055

Fax: +086-755-27297855

Website: <http://www.sz-yt.net>

E-mail: zhangzhiyou@163.com

<http://www.sz-yt.net>

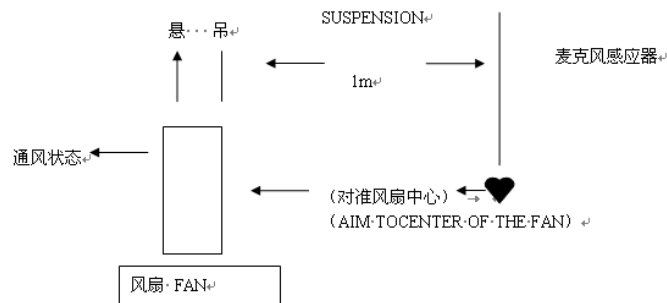
MMULITI-FLOW	型式 Type	交流无刷风扇 AC BRUSHLESS FAN	品名编号 MODEL NO	YTA12038LBT2	页数 1 Page
1、机构 MECHANICAL					
1.1 外观尺寸 EXTERNAL DIMENSION			120*120*38		
1.2 重量 WEIGHT			470g		
1.3 安装尺寸			105MM±0.3		
1.4 轴承 BEARING			BALL BEARING		
2、电性（在通风及额定电压条件下）IN FREE AIR AT RATED VOLTAGE					
2.1 额定电压 RATED VOLTAGE			AC 220V		
2.2 额定电流 RATED CURRENT			0.07/0.065A±0.01MAXIMUM		
2.3 额定功率 RATED INPUT POWER			10/9W±1MAXIMUM		
3 频率 EFFICIENCY			50/60HZ		
3.1 回转数 RATED SPEED(转圈 RANGE)			2300/1800RPM±10%		
3.2 ▲最大风量 MAXIMUM AIR FLOW			65/54CFM		
3.3 ▲最大风压 MAXIMMSTATIC PRESSURE			4.6/4.1mm/H2O (AT ZERO AIR FLOW)		
4 特性规格 CHARACTERISTIC					
4.1 电压范围 OPERATIONG VOLTAGE RANGE			AC 220-240V		
4.2 启动电压 STARTING VOLTAGE			AC 180 V MINIMUM		
4.3 锁定电流 LOCKED CURRENT			0.07A		
4.4 ▲存储湿度 STORAGE HUMIDITY			-20℃~+80℃ 20%~85%RH		
4.5 ▲环境湿度测试 ENVIRONMENT HUMIDITY TEST			-20℃~+80℃ 20%~85%RH		
4.6 ▲环境湿度测试 ENVIRONMENT HUMIDITY TEST			10% (RH) 45℃ FOR 24HRS&98% (RH) 45℃ FOR 24HRS		
4.7 正常转动温度 TEMPERATURE OF RISE IN NORMAL			本体温最低于 42℃ TEMP RISE LESS THAN 42℃ ON SURFACE 线圈温升低于 50℃ TEMP RISE LESS THAN 50℃ ON COLL		
4.8 绝缘阻抗强度 INSULATION INPENDENCE RESISTANCE			在本体与绝缘导线间加 1500V 直流电压之绝缘阻抗 INSULATION IMPEDANCE OF 1500V DC VOLTAGE BETWEEN BODY AND INSULATION WIRE		
4.9 绝缘耐压强度 INSULATION WITHSTAND VOLTAGE			必须能抵抗在本体与两条导线间加 1800V 交流电压 3 秒 MUST RESIST ADDING 1800V AC VOLTAGE BETWEEN NOUMENON AND TWO WIRES FOR 3 SECONDS		
4.10 ▲振动测试 VIBRATION TEST1			OK（请参考附件，REFER TO ATACHMENT）		
4.11 周期寿命 LIFE EXPECTANCE(寿命测试方法请看靠“11-3” REFER TO”11-3”FOR MTBF TEST DETAIL)			在额定电压及正常温湿度条件下可以连续转 50000 小时 IT CAN ROTATE CONTINUOUSLY FOR 5000 HOURS UNDER RATED VOLTAGE AND		

	NORMAL TEMPERATURE AND HUMIDITY CONDITIONS		
4.12 温度预期寿命 TEMPERTURE EXPECTANCE LIFE (需命测试方式同”6-12”,THE ME FHOD OF LIFE EXPECTANCE TEST IS THE SAMEWITH”6-12”)	轴承型式 BEARING TYFE	环 境 湿 度 AMBIENT TEMP	预期寿命 EXPECTANCE
	含油铜轴承 SLEEVE BEARING		30000 小时 30000HOURS
	滚珠轴承 BAL BEARING		50000 小时 50000HOURS
4.13 绝缘抗拉强度 INSULATION PULL STRENGTH	每条线以 1 公斤的拉力拉扯 15 秒不会断裂 EACH LINE IS PULLED BY A KILOGRAM OF PULL FOR 15 SECONDS WITHOUT BREAKING		
4.14 ▲噪音分贝 SOUND LEVEL	30dBA26dBA		

MULITI-FOW	型式 TYPE	交流无刷风扇 AC BRUSHLESS FAN	品名编号 MODEL NO	YTA12038LBT2	页数 2 PAGE
------------	------------	-------------------------------	------------------	--------------	--------------

4-15-1 噪音测试说明 SOUND LEVEL TEST DESCRIPTION

以额定电压在噪音实验中测试



背景噪音 17 分贝

AT TEAD VOLTAGE IN SOUND PTOOR ROOM

BACKGROUND NOISE 17 BDA MAXIMUM

4-16 特性定义 CHARACTERISTIC DEFINTTION

4-16-1 起动电压是指当突然通电后能够使风扇起动之最低电压:

START VOLTAGE IS THE IS LOWEST VOLTAGE THAT ENABLE TO START THE FAN BY SUDDENT POWER ON

4-16-2 输入功率: 输入功率在持续旋转 3 分钟后测试 (INPUT POWER:INPUT POWER IS TESTED AFTER 3 MINUTES OF CONTINUOUS ROTATION.)

4-16-3 锁定电流: 可以锁定的风扇,锁定电流在清新空气中锁机 3 分钟测定 (LOCKING CURRENT:FAN THAT CAN CAN BE LOCKED,LOCK CURRENT IN FRESH AIR LOCK MACHINE FOR 3 MINUTES)

5-1 保护实验 (PROTECTION)

几个风扇扇叶一起固定限制其旋转, 如果风扇及组件不会损坏, 限制旋转的组件被解松则风扇可自动重新启动旋转。

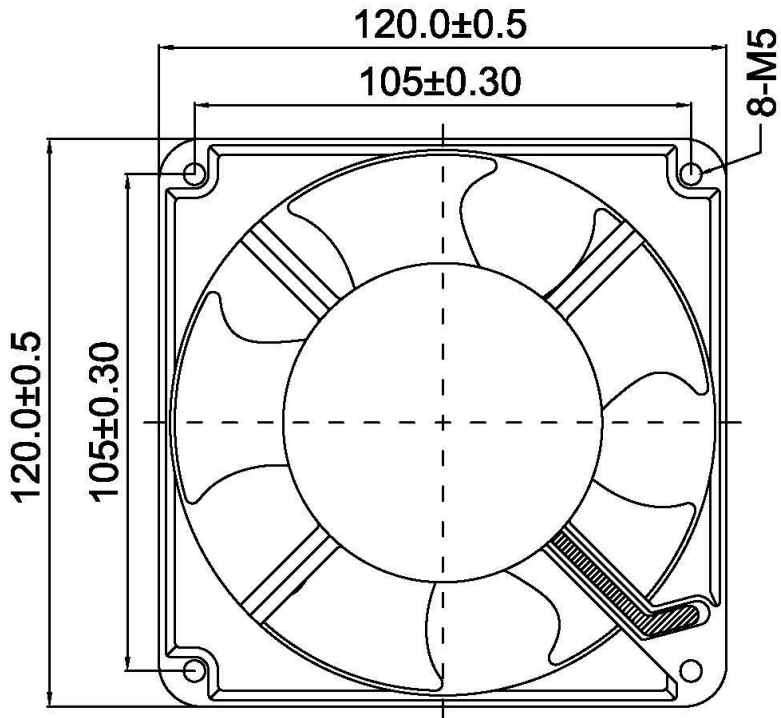
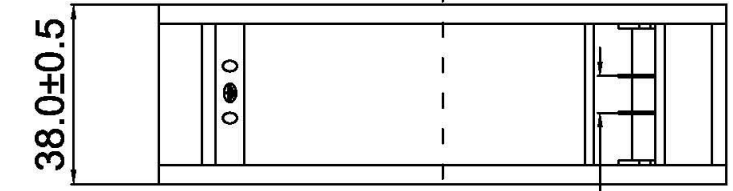
(SEVERAL FAN BLADES ARE FIXED TOGETHER TO LIMIT THEIR ROTATION, AND IF THE FAN AND COMPONENTS ARE NOT DAMAGED, THE RESTRICTED ROTATING COMPONENTS ARE LOOSENED, THEN THE FAN CAN AUTOMATICALLY RESTART ROTATE)

MULTI-FOW	型号 TYPE	交流无刷风扇 AC BRUSHLESS FAN	品名编号 MODEL NO	YTA12038LB T2	页数 3 PAGE
项次	主要元件 M/UOR COMPONENTS	材料或型式 MATERIAL&SPEC	等级 GRADE	备注	
7-1	扇框 FAN HOUSING	铝框			
7-2	扇叶 FAN BLADE	5片叶	94V-O		
7-3	轴心 AXIS	钢 STEEL			
7-4	轴承 BEARING	滚珠 BALL			
7-5	矽钢片 SILICON STEEL SHEET	中钢 SINO STEEL			
7-6	漆包铜线 ENAMELED COPPER WIRES	FULL DIAMETER	UEW 2UWE		
7-7	热保护器				
7-8	引导线 LEAD WIRES	聚乙烯氯化漆包铜线 POLYVINYL CHLORIDE LACQUER COATED COPPER WIRES(AWG=22)	94-VO		
7-10	贴纸 LABEL	多元酯 POLYESTER			

A B C D E F G H

AIR FLOW →

ROTATION ↻



1 2 3 4 5 6 7 8

SCALE	PRODUCT	UNIT
	APPEARANCE OF FAN	mm
DWG. NO:	YTA12038	
DESIGN DATE	2019/07/10	
DESCRIPTION	深圳市应天机电设备有限公司 Shenzhen Ying Tian Mechatronics Equipment Co., Ltd.	
REV.		

Label Marking

	型号/Model	YTA12038LBT2
	额定电压 /Rated Voltage	220VAC
	功率 /Input Power	10W
	标签规格 /Label Size	直径 22mm
	商标颜色 /Label Color	黑色