

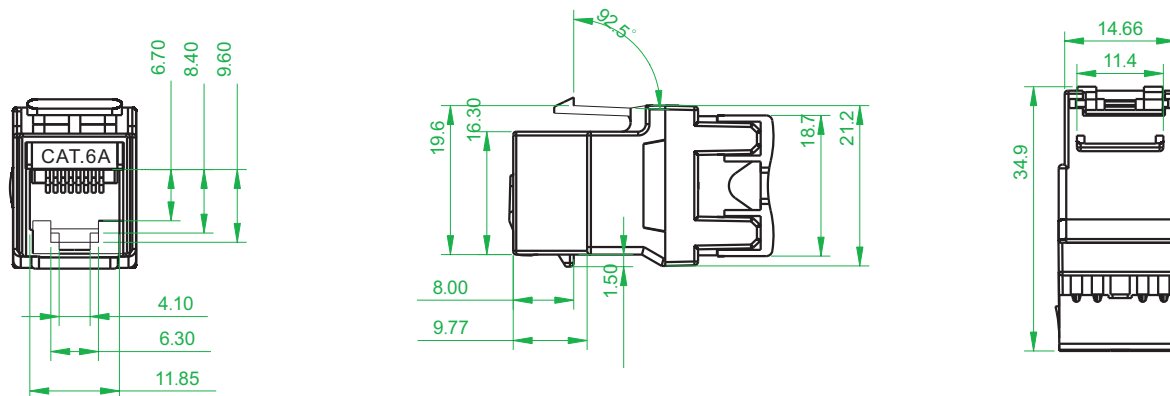
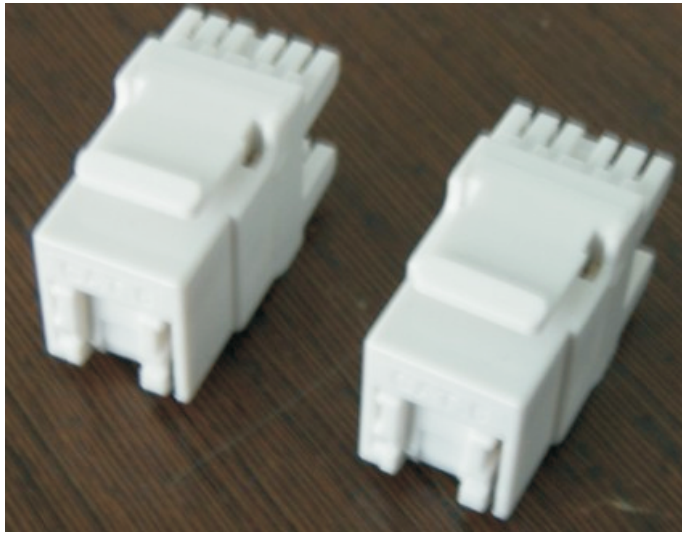
NINGBO BETTERBELL TELECOMMUNICATION EQUIPMENT CO., LTD.

CAT6 UTP 180° Keystone Jack

P/N: SM-2064CD8C6

Keystone Jack

CAT6 UTP 180° Keystone Jack



NINGBO BETTERBELL TELECOMMUNICATION EQUIPMENT CO. , LTD.

CAT6 UTP 180° Keystone Jack

SM-2064CD8C6

Keystone Jack

CAT6 UTP 180° Keystone Jack



Main physical data sheet:

Color: White

Pin:30-50"U"nickel plating inner side,surface golden plating

Shield shell : PC

Moisture: more than 750 times mating cycles

MAIN Electric Parameter:

INSULATION RESISTANCE : >500M ohms

CONTACT RESISTANCE: <20m ohms

DIELECTRIC STRENGHT : DC1000V(AC700V)No punctured and overflash phenomenon within one minute

Return loss : 250 MHz , > 8.0dB

Insertion loss : 250 MHz , 35.9 dB

Next loss : 250MHz , > 33.1dB

Attenuation: < 555ns

TIA/EIA : CAT.6